

Solutions for a green future

HIDRABLOC CD51R01



www.politejo.com

The best thermoplastic solutions for infrastructure networks



Politejo Group was founded in 1978, as an industry specialized in the manufacture of thermoplastic solutions and its main activity is the production of pipes and plastic accessories for the water supply, waste water, irrigation, electricity and telecommunications.

Our strategy is based on the constant innovation of products and services, with a skilled team, able to understand the needs associated with the various sectors and present highly reliable solutions, longevity that allow the conservation of water resources and the environment.

The success of Politejo Group is based on the profile of its employees, with a family-oriented management, due to the strategic location of its manufacturing units and their complete solutions.

This profile enabled a notable growth throughout the last 40 years, and currently Politejo Group is present in Angola, Brazil, Spain, Mozambique and Portugal, with a view to expanding to new locations.

Acessórios em PVC com junta elástica OR

A Politejo, SA produz e comercializa a sua gama de acessórios HIDRABLOC com a Marca Politejo.

Campo de Aplicação

A gama HIDRACOL aplica-se geralmente nas redes enterradas de abastecimento de águas e de regas agrícolas. As redes podem ser enterradas ou à vista.

Processo de Fabrico

Os acessórios da gama HIDRABLOC são produzidos pelo processo de injeção até ao DN200, existindo também acessórios termo formados e manipulados consoante o diâmetro e o tipo da peça.

Os acessórios podem ser produzidos em cor Cinza.

Normas

Fabricados de acordo com a UNE-EN1452-3.

| Ensaio | Norma | Requisito | Frequência |
|---------------------------------------|------------|-----------------------|---|
| Aspecto, Cor e Marcação | EN 1452-2 | De acordo com a norma | Início produção, após a 1ª hora e cada 4horas |
| Caract. Geométricas | EN 1452-2 | De acordo com a norma | Início produção, após a 1ª hora e cada 4horas |
| Resistência Pressão Interna 20° 1h | ISO 1167-1 | Sem rupturas | Por lote/semanal |
| Resistência Pressão Interna 20° 1000h | ISO 1167-1 | Sem rupturas | Por lote/semanal |
| Vicat | ISO 2507-1 | ≥74°C | Por lote/semanal |
| Efeito Ao Calor | ISO 580 | TIR 10% | Por lote |

Qualidade

Todas as unidades de produção da Politejo estão certificadas segundo a ISO9001 cumprindo com todos os requisitos para uma garantia de qualidade dos seus produtos.

Toda a nossa gama de fabrico cumpre com os requisitos da normalização europeia e todos os lotes de fabrico só são aprovados após cumprimento do plano de ensaios interno.

Os acessórios em PVC incorporam matéria-prima com certificado de produto proveniente de empresas também certificadas.

A POLITEJO garante a qualidade dos seus acessórios, desde que instalados de acordo com as boas práticas da arte.

As medidas de características dos acessórios mencionados neste catálogo podem ser alteradas sem aviso prévio.

Accesorios de PVC con junta elástica OR

Politejo, S.A. produce y comercializa su gama de accesorios HIDRABLOC con la marca HIDRA

Campo de Aplicación

La gama HIDRABLOC se aplica generalmente en redes de abastecimiento de agua y riego agrícola. Las instalaciones pueden ser enterradas o aéreas.

Proceso de Fabricación

Los accesorios de la gama HIDRABLOC son producidos por proceso de Inyección hasta diámetro 200 existiendo también accesorios termoconformados y manipulados en función del diámetro y tipo de pieza.

Los accesorios pueden ser producidos en color gris.

Normas

Fabricados de acuerdo a la norma UNE-EN ISO 1452.

| Ensayo | Norma | Requisito | Frequência |
|---------------------------------------|------------|---------------------------|---|
| Aspecto, color y marcación | EN 1452-2 | According to the Standard | Begining of Production, after 1 hour, every 4 hours |
| Características geométricas | EN 1452-2 | According to the Standard | Begining of Production, after 1 hour, every 4 hours |
| Resistencia pressão interna 20° 1h | ISO 1167-1 | No Ruptures | Per lote/Weekly |
| Resistencia pressão interna 20° 1000h | ISO 1167-1 | No Ruptures | Per lote/Weekly |
| vicat | ISO 2507-1 | ≥74°C | Per lote/Weekly |
| Efecto al calor | en iso 580 | TIR 10% | Per lote |

Calidad

Todas las fábricas de Politejo están certificadas bajo la norma ISO 9001 cumpliendo ocn todos los requisitos para asegurar la calidad de sus productos.

Toda la gama de fabricación cumple con los requisitos de normalización europea y todos los lotes de fabricación son aprobados despues de verificar el cumplimiento ocn el plan de ensayos establecido.

Los accesorios de PVC incorporan materia prima con certificado de producto proveniente de empresas tambien certificadas.

POLITEJO garantiza la calidad de sus accesorios, siempre que sean instalados correctamente.

Las características de los accesorios mencionadas en este catálogo pueden ser modificadas sin previo aviso.

PVC Fittings with Rubber Ring Joint

Politejo, SA produces and sells all its range of HIDRABLOC Fittings with the brand Hidra.

Field of Application

The HIDRACOL brand is usually applied in buried water supply networks and irrigation networks.

Production Process

The HIDRABLOC fittings are usually produced by injection up to the DN200, being the some fittings can be either thermo shaped or fabricated, depending on the diameter and type of fitting.

The fittings are produced in Grey color.

Standards

Produced according to UNE-EN1452-3.

| Test | Standard | Criteria | Period |
|--|------------|---------------------------|--|
| Visual look, Color and Brand | EN 1452-2 | According to the Standard | Beginning of Production, after 1 hour, every 4 hours |
| Geometric Characteristics | EN 1452-2 | According to the Standard | Beginning of Production, after 1 hour, every 4 hours |
| Internal Pressure Resistance 20° 1h | ISO 1167-1 | No Ruptures | Per lote/Weekly |
| Internal Pressure Resistance 20° 1000h | ISO 1167-1 | No Ruptures | Per lote/Weekly |
| vicat | ISO 2507-1 | ≥74°C | Per lote/Weekly |
| Heat Effect | ISO 580 | TIR 10% | Per lote |

Quality

All the production units of Politejo are certified according to ISSO 9001, complying with all the requirements to guarantee the quality of their products.

Our brand complies with all the requirements of the European Standard and each and every lote of production are only approve on ce they completed our internal plan of tests.

The fittings in PVC are made of certified raw materials provided by companies that are also certified.

POLITEJO assures the quality of its fittings, when they are installed according to the good practices of the art.

All the measures of the fittings present in this catalog can be subjected to change without previous notice.

Raccords en PVC joint d'étanchéité en élastomère

POLITEJO, SA produit et commercialise sa gamme des Raccords HIDRABLOC avec la marque HIDRA.

Domaine d'Application

La gamme HIDRABLOC est généralement appliqué dans les réseaux d'approvisionnement en eau, les systèmes d'irrigation agricole, les piscines et l'industrie.

Les réseaux peuvent être enterrés ou être en vue.

Processus de Fabrication

La gamme de Raccords HIDRABLOC sont produits par moulage par injection jusqu'à DN200, il y a aussi des Raccords thermo-formé et manipulé selon le diamètre et le type de pièce. Les Raccords peuvent être produits en couleur gris.

Normes

Fabrication selon la norme UNE-EN1452-2

| Essai | Normes | Exigence | Fréquence |
|--|------------|----------------|--|
| Apparence, couleur et marquage | EN 1452-2 | Selon la norme | Début de la Production, après la 1ère heure et toutes les 4 heures |
| Caractéristiques géométriques | EN 1452-2 | Selon la norme | Début de la Production, après la 1ère heure et toutes les 4 heures |
| Résistance à la pression interieur 20° 1h | ISO 1167-1 | San ruptures | Par lot, minimum chaque semaine |
| Résistance à la pression interieur 20° 1000h | ISO 1167-1 | San ruptures | Par lot, minimum chaque semaine |
| Vicat | ISO 2507-1 | ≥74°C | Par lot, minimum chaque semaine |
| Effet de la Chaleur | ISO 580 | TIR 10% | Par Lot |

Qualité

Toutes les POLITEJO unités de production sont certifiés selon la norme ISO9001 conformant à toutes les exigences relatives à l'assurance de la qualité de leurs produits.

Toutes nos gammes de fabrication sont conforme aux exigences des normes européennes et tous les lots sont approuvés seulement après conformité avec le plan de test interne.

Raccords en PVC incorporent des matières premières avec certificat de produit de sociétés ont également certifiés.

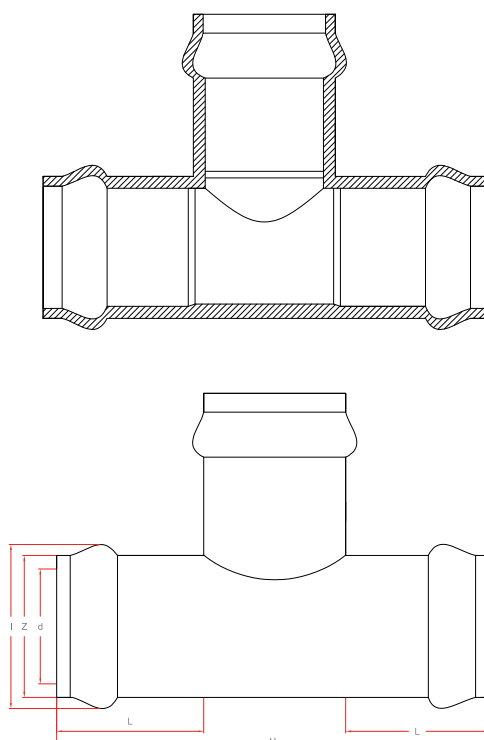
POLITEJO garantit la qualité des Raccords qui ont été installés conformément aux bonnes pratiques de travail.

Les caractéristiques des mesures des raccords mentionnés dans ce catalogue peuvent être modifiés sans préavis.

HIDRABLOC

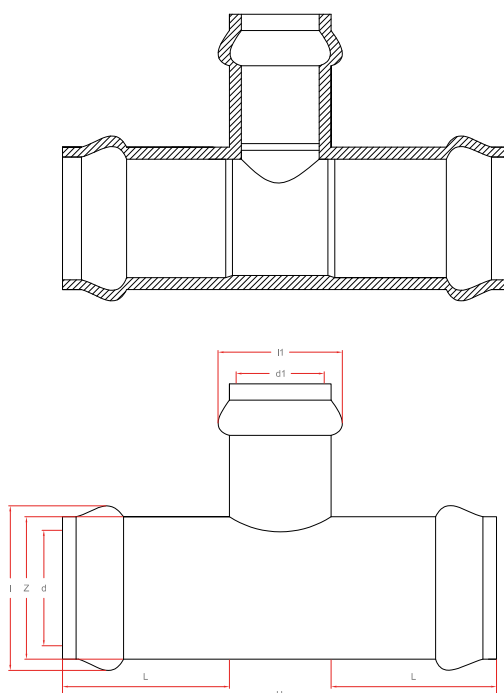
ACESSÓRIOS// PIEZAS // FITTINGS//RACCORDS

Tê a 90° OR // Tea a 90° OR // Tee at 90° OR // Té 90° OR



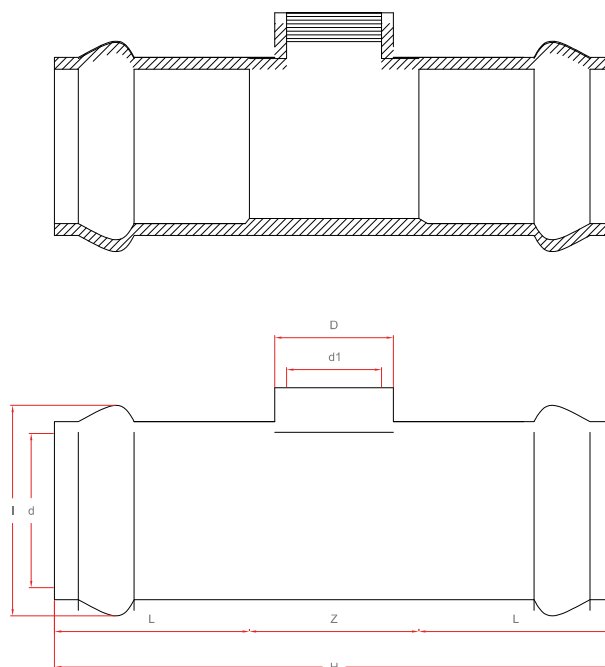
| DN (mm) | KG | d (mm) | L (mm) | Z (mm) | H (mm) | I (mm) |
|---------|-------|--------|--------|--------|--------|--------|
| 63 | 0,874 | 63 | 98 | 78 | 273 | 92 |
| 75 | 1,278 | 75 | 105 | 91 | 299 | 106 |
| 90 | 1,705 | 90 | 110 | 110 | 330 | 125 |
| 110 | 2,950 | 110 | 116 | 330 | 370 | 151 |
| 125 | 4,200 | 125 | 120 | 152 | 397 | 169 |
| 140 | 5,150 | 140 | 125 | 167 | 420 | 186 |
| 160 | 7,350 | 160 | 133 | 191 | 465 | 213 |
| 200 | 8,800 | 200 | 160 | 223 | 550 | 251 |

Tê reduzido a 90° OR // Tea reducido 90° OR // Reduced tee at 90° OR // Té réduit 90° OR



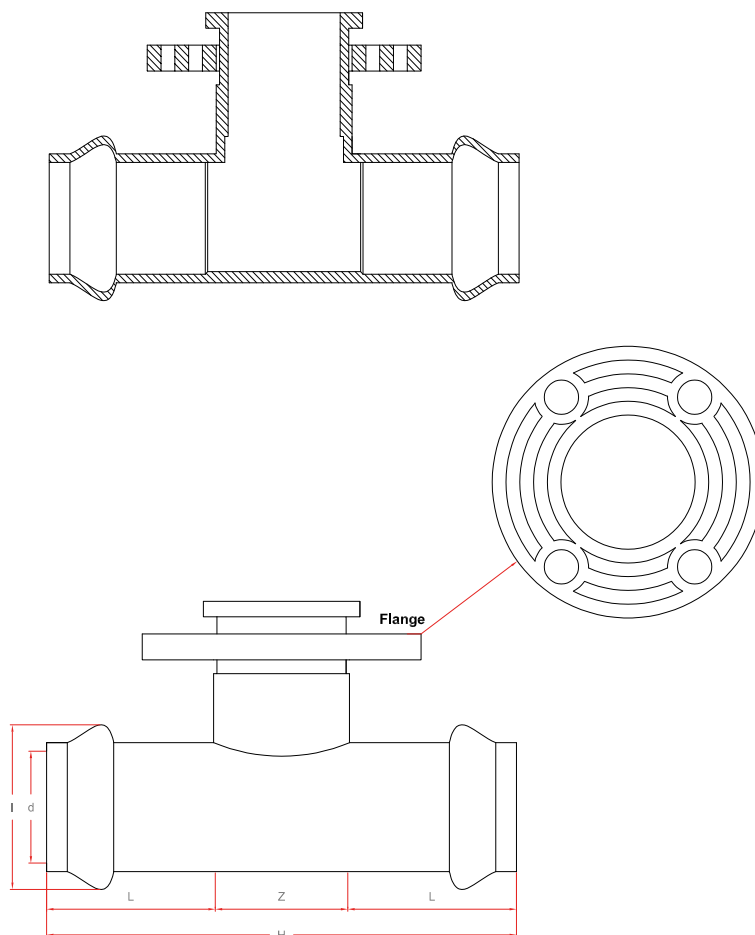
| DN (mm) | KG | d (mm) | d1 (mm) | L (mm) | Z (mm) | H (mm) | I (mm) | I1 (mm) |
|---------|-------|--------|---------|--------|--------|--------|--------|---------|
| 75x63 | 1,160 | 75 | 63 | 108 | 91 | 298 | 106 | 91 |
| 90x63 | 1,650 | 90 | 63 | 124 | 109 | 333 | 125 | 91 |
| 90x75 | 1,750 | 90 | 75 | 117 | 109 | 330 | 126 | 106 |
| 110x63 | 2,550 | 110 | 63 | 145 | 132 | 374 | 151 | 91 |
| 110x75 | 2,624 | 110 | 75 | 138 | 132 | 370 | 151 | 107 |
| 110x90 | 2,740 | 110 | 90 | 130 | 132 | 370 | 151 | 125 |
| 125x63 | 3,446 | 125 | 63 | 155 | 151 | 398 | 169 | 91 |
| 125x75 | 3,490 | 125 | 75 | 150 | 151 | 395 | 168 | 107 |
| 125x90 | 3,597 | 125 | 90 | 140 | 151 | 395 | 168 | 126 |
| 125x110 | 3,842 | 125 | 110 | 130 | 151 | 398 | 168 | 152 |
| 140x110 | 4,650 | 140 | 110 | 141 | 163 | 420 | 187 | 150 |
| 160x63 | 5,950 | 160 | 63 | 183 | 191 | 463 | 212 | 91 |
| 160x75 | 6,100 | 160 | 75 | 180 | 191 | 462 | 213 | 107 |
| 160x90 | 6,150 | 160 | 90 | 172 | 191 | 460 | 213 | 126 |
| 160x125 | 6,650 | 160 | 125 | 153 | 191 | 464 | 212 | 168 |
| 200x90 | 7,500 | 200 | 90 | 215 | 223 | 545 | 252 | 126 |
| 200x110 | 7,400 | 200 | 110 | 208 | 223 | 545 | 251 | 152 |
| 200x125 | 7,850 | 200 | 125 | 196 | 223 | 547 | 251 | 169 |
| 200x160 | 8,850 | 200 | 160 | 177 | 227 | 547 | 251 | 214 |

Tê a 90°OR com Saída Roscada // Te a 90°OR com Salida Roscada // Tee at 90°OR with Threaded Branch // Té a 90°OR avec Sortie Taraudée



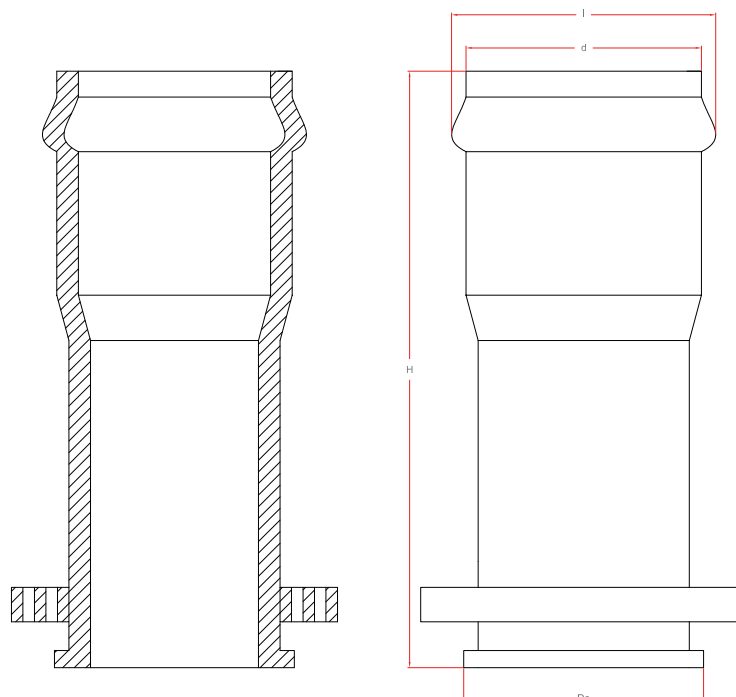
| DN (mm) | KG | d (mm) | d1 (mm) | D (mm) | L (mm) | Z (mm) | H (mm) | I (mm) |
|---------|-------|--------|---------|--------|--------|--------|--------|--------|
| 63 | 0,677 | 63 | 1" 1/2' | 60 | 99 | 78 | 274 | 92 |
| 75 | 1,012 | 75 | 1" 1/2' | 60 | 104 | 92 | 300 | 107 |
| 90 | 1,483 | 90 | 1" 1/2' | 60 | 108 | 114 | 330 | 126 |
| 90 | 1,579 | 90 | 3" | 110 | 1012 | 116 | 330 | 127 |
| 110 | 2,117 | 110 | 1" 1/2' | 60 | 119 | 139 | 372 | 153 |
| 110 | 2,415 | 110 | 3" | 110 | 119 | 142 | 372 | 153 |
| 125 | 3,296 | 125 | 1" 1/2' | 60 | 128 | 156 | 403 | 172 |
| 140 | 4,492 | 140 | 1" 1/2' | 60 | 131 | 177 | 429 | 195 |
| 160 | 5,735 | 160 | 1" 1/2' | 60 | 137 | 199 | 457 | 218 |
| 200 | 9,508 | 200 | 1" 1/2' | 60 | 156 | 251 | 549 | 269 |

Tê a 90°OR Flangeado // Te a 90°OR com Brida // Flanged Tee at 90°OR //
Té a 90°OR avec Bride



| DN (mm) | KG | d (mm) | L (mm) | Z (mm) | H (mm) | I (mm) |
|---------|--------|--------|--------|--------|--------|--------|
| 63 | 1,199 | 63 | 98 | 78 | 274 | 91 |
| 75 | 1,755 | 75 | 106 | 93 | 301 | 108 |
| 90 | 2,449 | 90 | 112 | 112 | 330 | 129 |
| 110 | 3,842 | 110 | 117 | 135 | 369 | 151 |
| 125 | 6,390 | 125 | 126 | 155 | 403 | 170 |
| 140 | 6,669 | 140 | 129 | 172 | 432 | 191 |
| 160 | 9,400 | 160 | 134 | 196 | 462 | 212 |
| 200 | 15,666 | 200 | 151 | 256 | 555 | 263 |

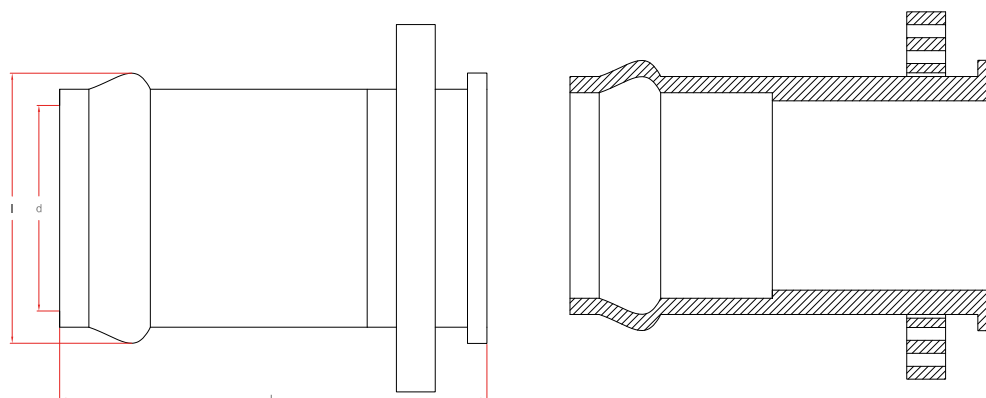
Redução Flangeada OR // Flanged Reducer OR // Reduction avec Bride OR // Reduccion com Brida OR



| DN (mm) | KG | d (mm) | d1 (mm) | L (mm) | Z (mm) | H (mm) | I (mm) | I1 (mm) |
|---------|-------|--------|---------|--------|--------|--------|--------|---------|
| 75x63 | 1,582 | 75 | 63 | 104 | 92 | 300 | 107 | 93 |
| 90x63 | 1,925 | 90 | 63 | 109 | 112 | 330 | 126 | 93 |
| 90x75 | 2,110 | 90 | 75 | 109 | 112 | 330 | 126 | 107 |
| 110x63 | 2,696 | 110 | 63 | 117 | 136 | 375 | 151 | 92 |
| 110x75 | 2,920 | 111 | 75 | 117 | 136 | 370 | 151 | 107 |
| 110x90 | 3,240 | 111 | 90 | 117 | 136 | 370 | 151 | 126 |
| 125x63 | 3,882 | 125 | 63 | 125 | 150 | 400 | 178 | 93 |
| 125x75 | 3,952 | 125 | 75 | 125 | 150 | 402 | 178 | 107 |
| 125x90 | 4,123 | 125 | 90 | 125 | 150 | 402 | 179 | 126 |
| 125x110 | 4,534 | 125 | 110 | 125 | 150 | 403 | 169 | 151 |
| 140x63 | 4,798 | 140 | 63 | 128 | 170 | 426 | 189 | 92 |
| 140x75 | 4,995 | 140 | 75 | 128 | 170 | 426 | 189 | 107 |
| 140x90 | 5,320 | 140 | 90 | 128 | 170 | 428 | 192 | 135 |
| 140x110 | 5,870 | 140 | 110 | 128 | 170 | 428 | 192 | 151 |
| 140x125 | 6,302 | 140 | 125 | 128 | 170 | 429 | 192 | 170 |
| 160x63 | 6,302 | 160 | 63 | 134 | 194 | 462 | 213 | 92 |
| 160x75 | 6,335 | 160 | 75 | 134 | 194 | 462 | 213 | 108 |
| 160x90 | 6,510 | 160 | 90 | 134 | 194 | 475 | 213 | 129 |

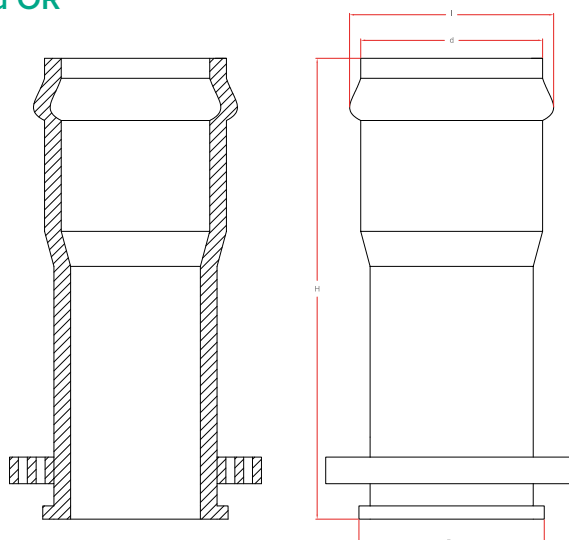
| DN (mm) | KG | d (mm) | d1 (mm) | L (mm) | Z (mm) | H (mm) | I (mm) | H1 (mm) |
|---------|--------|--------|---------|--------|--------|--------|--------|---------|
| 160x110 | 8,850 | 200 | 110 | 134 | 194 | 475 | 225 | 151 |
| 160x125 | 7,394 | 160 | 125 | 134 | 194 | 475 | 225 | 172 |
| 160x140 | 7,895 | 160 | 140 | 134 | 194 | 462 | 213 | 189 |
| 200x63 | 9,878 | 200 | 63 | 150 | 245 | 545 | 262 | 95 |
| 200x75 | 10,080 | 200 | 75 | 150 | 245 | 545 | 262 | 107 |
| 200x90 | 10,435 | 200 | 90 | 150 | 245 | 566 | 266 | 126 |
| 200x110 | 10,899 | 200 | 110 | 150 | 245 | 566 | 262 | 162 |
| 200x125 | 11,304 | 200 | 125 | 150 | 245 | 566 | 263 | 169 |
| 200x140 | 12,082 | 200 | 140 | 150 | 245 | 545 | 262 | 190 |
| 200x160 | 13,445 | 200 | 160 | 150 | 245 | 545 | 262 | 213 |

Junta Flangeada OR // Junta com Brides OR // Flanged Adaptor OR // Joint d'Adaptation à Bride OR



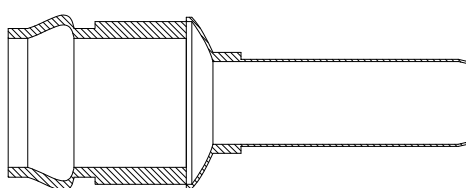
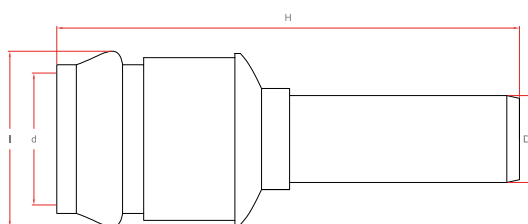
| DN (mm) | KG | d (mm) | L (mm) | I (mm) | F (mm) |
|---------|-------|--------|--------|--------|--------|
| 63 | 0,795 | 63 | 98 | 91 | 4 |
| 75 | 1,075 | 75 | 106 | 108 | 5 |
| 90 | 1,572 | 90 | 112 | 129 | 8 |
| 110 | 2,524 | 110 | 117 | 151 | 8 |
| 125 | 3,040 | 125 | 126 | 170 | 8 |
| 140 | 4,922 | 140 | 129 | 191 | 9 |
| 160 | 5,561 | 160 | 134 | 212 | 8 |
| 200 | 7,950 | 200 | 151 | 263 | 12 |

Redução Flangeada OR // Flanged Reducer OR // Reduction avec Bride OR // Reduccion com Brida OR



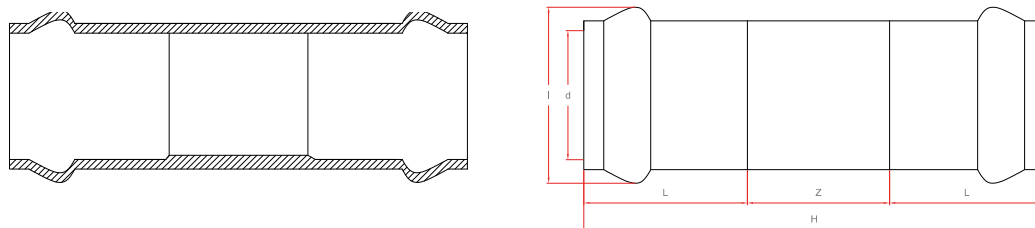
| DN (mm) | KG | d (mm) | De (mm) | H (mm) | l (mm) |
|---------|-------|--------|---------|--------|--------|
| 75x63 | 1,106 | 63 | 75 | 221 | 109 |
| 90x63 | 1,899 | 63 | 90 | 280 | 127 |
| 90x75 | 2,105 | 75 | 90 | 255 | 126 |
| 110x63 | 2,420 | 63 | 110 | 291 | 151 |
| 110x75 | 2,601 | 75 | 110 | 296 | 153 |
| 110x90 | 2,796 | 90 | 110 | 306 | 153 |
| 125x63 | 2,499 | 63 | 125 | 290 | 172 |
| 125x75 | 2,821 | 75 | 125 | 295 | 171 |
| 125x90 | 3,113 | 90 | 125 | 302 | 171 |
| 125x110 | 3,466 | 110 | 125 | 331 | 169 |
| 140x63 | 4,045 | 63 | 140 | 360 | 189 |
| 140x75 | 4,175 | 75 | 140 | 345 | 189 |
| 140x90 | 4,300 | 90 | 140 | 345 | 189 |
| 140x110 | 4,465 | 110 | 140 | 350 | 191 |
| 140x125 | 4,915 | 125 | 140 | 366 | 191 |
| 160x63 | 6,747 | 63 | 160 | 465 | 213 |
| 160x75 | 6,936 | 75 | 160 | 475 | 213 |
| 160x90 | 7,000 | 90 | 160 | 449 | 214 |
| 160x110 | 7,165 | 110 | 160 | 445 | 214 |
| 160x125 | 7,515 | 125 | 160 | 466 | 214 |
| 160x140 | 7,140 | 140 | 160 | 460 | 215 |
| 200x63 | 7,425 | 63 | 200 | 585 | 262 |
| 200x75 | 7,585 | 75 | 200 | 595 | 262 |
| 200x90 | 7,695 | 92 | 200 | 560 | 263 |
| 200x110 | 7,820 | 110 | 200 | 565 | 263 |
| 200x125 | 8,185 | 125 | 200 | 592 | 262 |
| 200x140 | 8,795 | 140 | 200 | 589 | 264 |
| 200x160 | 8,399 | 160 | 200 | 263 | 262 |

Redução OR // Reducer OR // Reduction OR // Reduccion OR



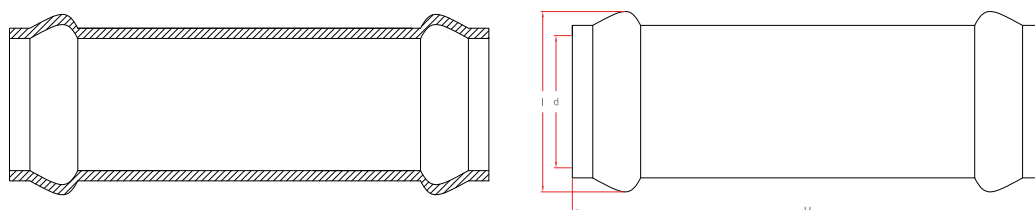
| DN (mm) | KG | d (mm) | De (mm) | H (mm) | l (mm) |
|---------|-------|--------|---------|--------|--------|
| 75x63 | 0,886 | 63 | 75 | 330 | 106 |
| 90x63 | 1,218 | 63 | 90 | 345 | 126 |
| 90x75 | 1,655 | 75 | 90 | 386 | 167 |
| 110x63 | 2,052 | 63 | 110 | 397 | 151 |
| 110x75 | 1,353 | 75 | 110 | 445 | 140 |
| 110x90 | 2,245 | 90 | 110 | 399 | 170 |
| 125x63 | 2,377 | 63 | 125 | 411 | 169 |
| 125x75 | 2,209 | 75 | 125 | 525 | 156 |
| 125x90 | 2,700 | 90 | 125 | 430 | 170 |
| 125x110 | 2,725 | 110 | 125 | 525 | 174 |
| 140x63 | 2,500 | 63 | 140 | 471 | 190 |
| 140x75 | 3,455 | 75 | 140 | 765 | 10 |
| 140x90 | 3,725 | 90 | 140 | 536 | 174 |
| 140x110 | 3,000 | 110 | 140 | 475 | 190 |
| 140x125 | 4,078 | 125 | 140 | 579 | 202 |
| 160x63 | 4,650 | 63 | 160 | 525 | 156 |
| 160x75 | 6,952 | 75 | 160 | 578 | 210 |
| 160x90 | 6,999 | 90 | 160 | 555 | 210 |
| 160x110 | 4,600 | 110 | 160 | 588 | 204 |
| 160x125 | 6,699 | 125 | 160 | 563 | 200 |
| 160x140 | 7,125 | 140 | 160 | 579 | 200 |
| 200x63 | 7,301 | 63 | 200 | 699 | 260 |
| 200x75 | 7,411 | 75 | 200 | 699 | 260 |
| 200x90 | 6,650 | 90 | 200 | 670 | 239 |
| 200x110 | 7,155 | 110 | 200 | 671 | 260 |
| 200x125 | 7,322 | 125 | 200 | 689 | 260 |
| 200x140 | 7,988 | 140 | 200 | 698 | 260 |
| 200x160 | 6,935 | 160 | 200 | 635 | 260 |

Uniões OR // Manguitos OR // Couplers OR // Manchon OR



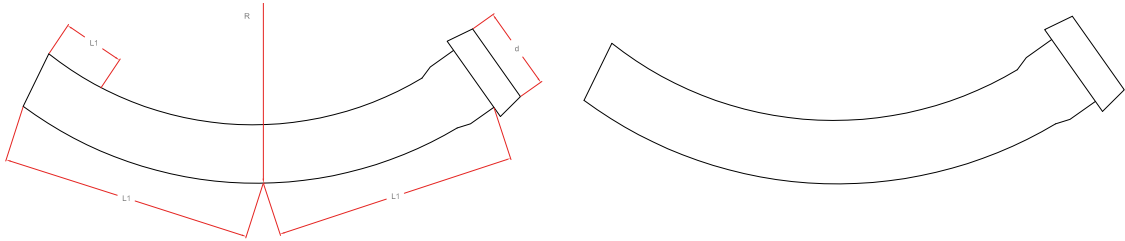
| DN (mm) | KG | d (mm) | L (mm) | Z (mm) | H (mm) | I (mm) |
|---------|-------|--------|--------|--------|--------|--------|
| 63 | 0,662 | 63 | 98 | 78 | 274 | 91 |
| 75 | 0,973 | 75 | 104 | 92 | 300 | 107 |
| 90 | 1,478 | 90 | 115 | 100 | 324 | 125 |
| 110 | 2,324 | 110 | 120 | 128 | 368 | 151 |
| 125 | 3,231 | 125 | 127 | 140 | 394 | 168 |
| 140 | 4,295 | 140 | 129 | 172 | 429 | 196 |
| 160 | 5,825 | 160 | 133 | 197 | 463 | 212 |
| 200 | 7,650 | 200 | 150 | 245 | 545 | 260 |

Uniões Telescópicas OR // Repair Couplers OR // Manchon de Reparacion OR // Manguitos Reparacion OR

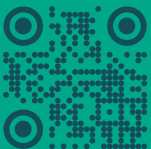


| DN (mm) | KG | d (mm) | H (mm) | I (mm) |
|---------|-------|--------|--------|--------|
| 63 | 0,632 | 63 | 276 | 91 |
| 75 | 0,897 | 75 | 299 | 106 |
| 90 | 1,415 | 90 | 327 | 125 |
| 110 | 2,192 | 110 | 365 | 151 |
| 125 | 3,105 | 125 | 394 | 168 |
| 140 | 4,069 | 140 | 427 | 191 |
| 160 | 5,566 | 160 | 464 | 212 |
| 200 | 7,050 | 200 | 547 | 260 |

Curvas OR // Bends OR // Courbes OR // Curvas OR



| DN (mm) | KG | d (mm) | R (mm) | L1 90° (mm) | L1 45° (mm) | L1 22°33' (mm) | L1 1°15' (mm) |
|---------|--------|--------|--------|-------------|-------------|----------------|---------------|
| 63 | 0,779 | 63 | 300 | 310 | 206 | 167 | 141 |
| 75 | 1,062 | 75 | 341 | 350 | 245 | 195 | 176 |
| 90 | 1,826 | 90 | 381 | 385 | 260 | 206 | 195 |
| 110 | 3,139 | 110 | 476 | 481 | 306 | 226 | 211 |
| 125 | 3,555 | 125 | 512 | 515 | 356 | 263 | 252 |
| 140 | 6,279 | 140 | 607 | 611 | 375 | 321 | 283 |
| 160 | 7,478 | 160 | 626 | 631 | 395 | 326 | 286 |
| 200 | 11,950 | 200 | 760 | 785 | 446 | 327 | 299 |



www.politejo.com
geral@politejo.com

